

This documents is for reference,
dimensions are subject to change.

ALL RIGHTS OF THE PROJECT STRICTLY
RESERVED TO DINAMICA GENERALE.
REPRODUCTION OR ISSUE TO THIRD
PARTIES IN ANY FORM WHATEVER IS,
NOT PERMITTED WITHOUT WRITTEN
AUTHORIZATION FROM DINAMICA GENERALE

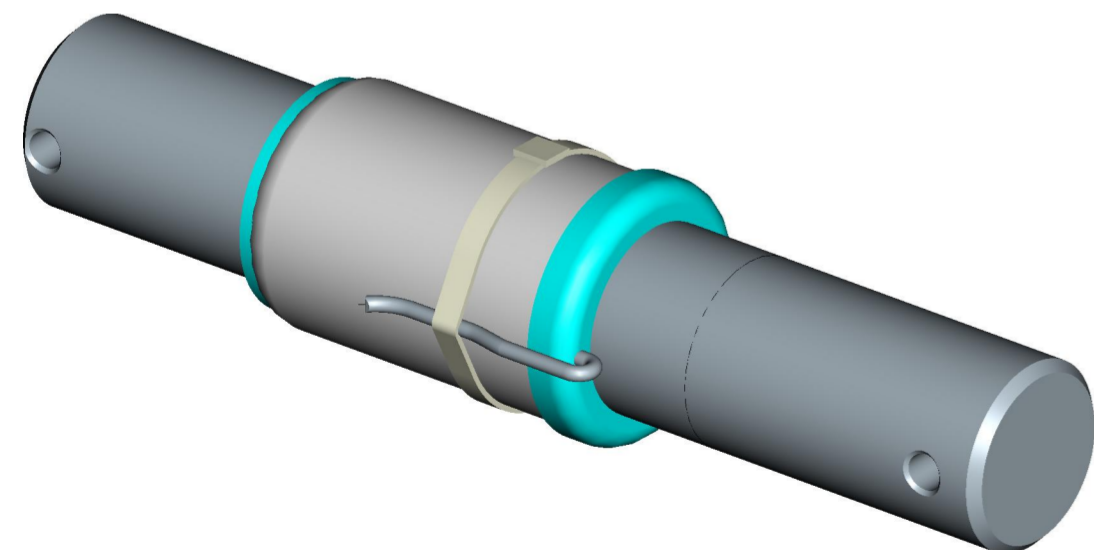
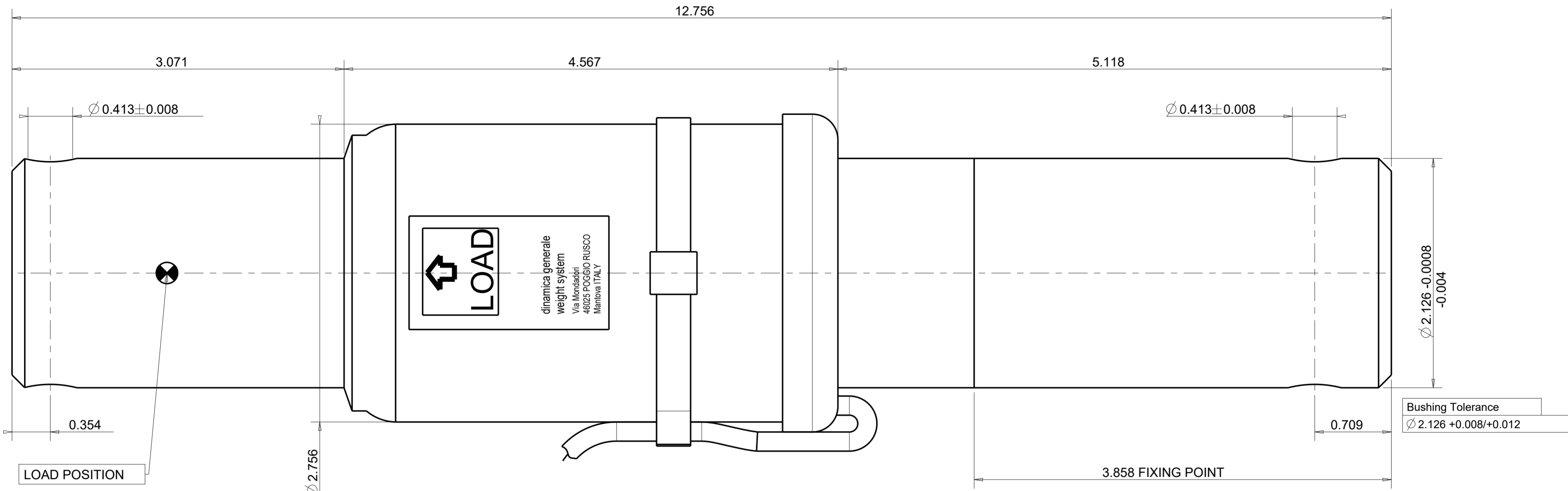
INPUT +	RED
INPUT -	BLACK
OUTPUT +	GREEN
OUTPUT -	WHITE

SPECIFICATIONS	MOBILE
RATED LOAD (LBS)	11023
RATED LOAD (Kg)	5000
RATED OUTPUT (mV/V)	1.23

PART CODE	CABLE LENGHT		CABLE TERMINATION
	FT	m	
969-0238	30	9.2	SPM

D	-	-	-	-	SCALE	A2	
C	A2	15/05/17	M.B.	Sostituito codice cavo			
B	A1	04/11/16	M.B.	Agg. fdm 263_16	3/2	UNSPECIFIED TOLLERANCES	
A	A0	28/09/11	M.B.	Emissione disegno			
REV.	MOD.N.	DATE	SIGNATURE	DESCRIPTION	± 0.5	ROUGHNESS	
 DINAMICA GENERALE Weight Systems 46025 Poggio Rusco (MN) Via Mondadori, 15 Tel. ++39 0386.52134 Fax ++39 0386.51523				*DRAWN	*CHECKED	*APPROVED	*REFER TO ORIGINAL DRAWING IF SIGNATURE ARE PRINTED
				DATE	28/09/2011	28/09/2011	
				SIGNATURE	M.Bresciani	A.Zennaro	M.Gilli
				WEIGHT [kg]	5.821		
				DESCRIPTION	MOBILE Load Cell DG8130/54-DS C=9.2m + SPM		
				CODE	969-0238	REV.	A2
				THE COPY OF THIS DRAWING MUST BE APPROVED BY DINAMICA GENERALE			

MEASURES EXPRESSED IN INCHES



This documents is for reference, dimensions are subject to change.

ALL RIGHTS OF THE PROJECT STRICTLY RESERVED TO DINAMICA GENERALE. REPRODUCTION OR ISSUE TO THIRD PARTIES IN ANY FORM WHATEVER IS, NOT PERMITTED WITHOUT WRITTEN AUTHORIZATION FROM DINAMICA GENERALE

INPUT +	RED
INPUT -	BLACK
OUTPUT +	GREEN
OUTPUT -	WHITE

SPECIFICATIONS	MOBILE
RATED LOAD (LBS)	11023
RATED LOAD (Kg)	5000
RATED OUTPUT (mV/V)	1.23

PART CODE	CABLE LENGHT		CABLE TERMINATION
	FT	m	
969-0238	30	9.2	SPM

D	-	-	-	-	SCALE	A2
C	A2	15/05/17	M.B.	Sostituito codice cavo		
B	A1	04/11/16	M.B.	Agg. fdm 263_16	3/2	UNSPECIFIED TOLLERANCES
A	A0	28/09/11	M.B.	Emissione disegno		
REV.	MOD.N.	DATE	SIGNATURE	DESCRIPTION	± 0.02	ROUGHNESS
				*DRAWN 28/09/2011 M.Bresciani	*CHECKED 28/09/2011 A.Zennaro	*APPROVED 28/09/2011 M.Gilli
46025 Poggio Rusco (MN) Via Mondadori, 15 Tel. ++39 0386.52134 Fax ++39 0386.51523				WEIGHT [lbs] 12.833	*REFER TO ORIGINAL DRAWING IF SIGNATURE ARE PRINTED	
DESCRIPTION				MOBILE Load Cell DG8130/54-DS C=9.2m + SPM		
CODE				969-0238	REV.	A2
						THE COPY OF THIS DRAWING MUST BE APPROVED BY DINAMICA GENERALE